

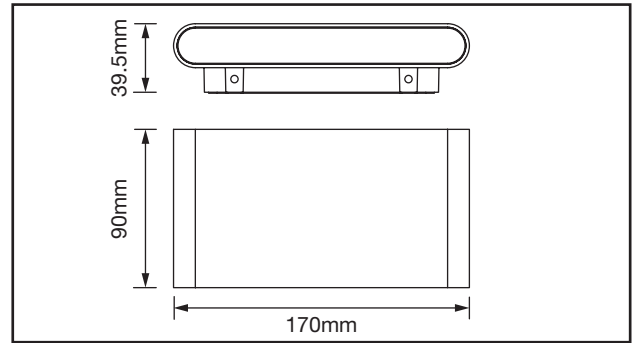
AWL11**/CCT

9W IP65 CCT Decorative Bi-Directional Wall Luminaire



PRODUCT FEATURES

- CCT Selectable (3000K/4000K/6000K)
- Die-Cast Aluminium Body
- Wago Connectors Included



TECHNICAL SPECIFICATIONS

Product Code	AWL11BK/CCT
CCT (Colour Temperature)	3000K/4000K/6000K
Rated Power	9W
Lumens	≤600lm
Beam Angle	80°
CRI	≤80
Lifetime	25,000 Hrs
Ambient Operating Temperature	-20~45°C
Ingress Protection	IP65
Operating Voltage	220-240VAC
Power Factor	>0.5
Frequency	50-60Hz
Guarantee	3 Years
SDCM	<6
Peak Intensity	120cd
Switching Cycles	≤15,000
Starting Time	Instant Full Light
Class	I



Carbon Black
AWL10BK/CCT



Polar White
AWL10WH/CCT

